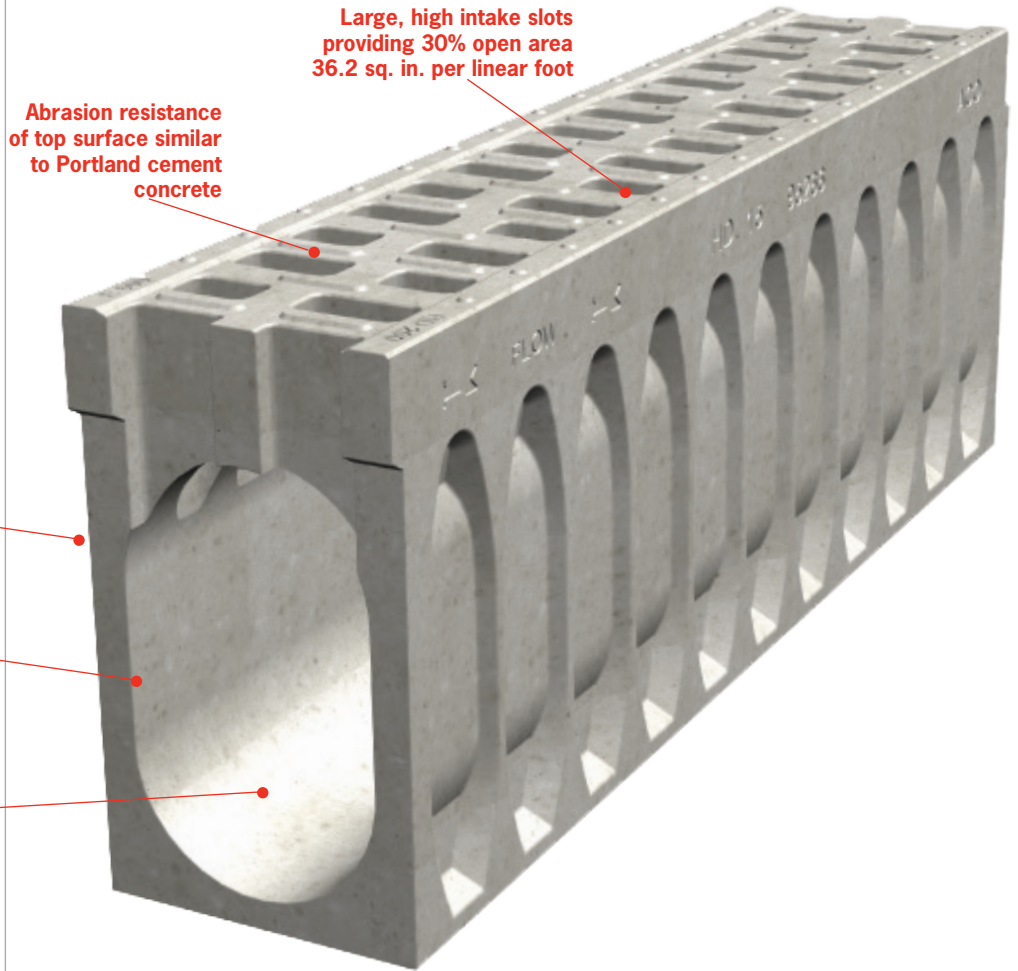


Typical Applications

- *Highways*
- *Interstates*
- *Distribution depots*
- *Container ports*
- *Truck stops*
- *Industrial parks*
- *Toll booths*



HighwayDrain is designed to address drainage demands of areas with fast moving traffic. The single piece construction removes the concern of components vibrating loose when frequently trafficked by high speed vehicles. Ideal for use in applications where the drainage cannot be positioned outside the flow of traffic.

HighwayDrain has been designed for simple installation in a wide range of urban and rural applications, as well as highways and Interstates. One-piece, 4-foot long units are quick to install, reducing costly and inconvenient road closures.



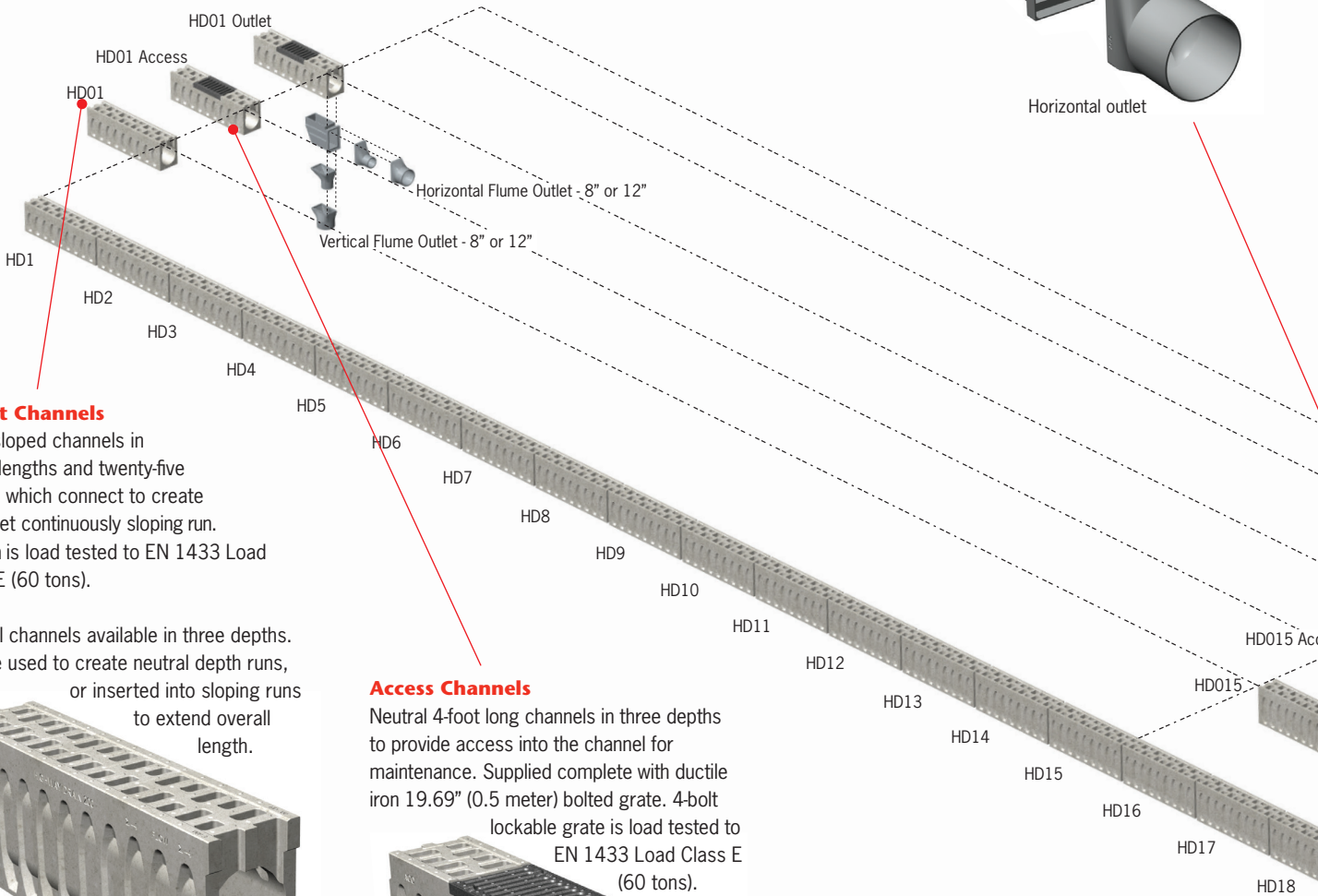
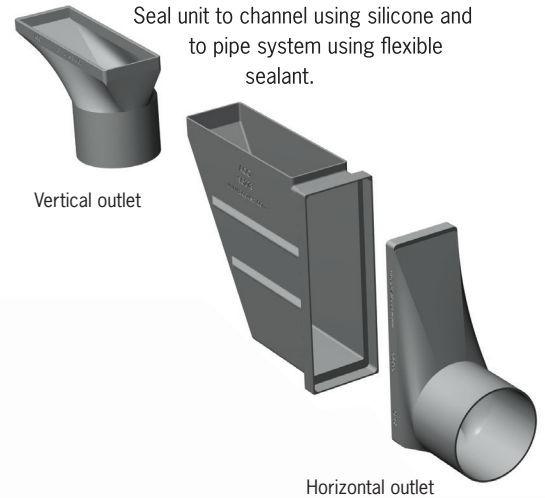
Monolithic polymer concrete 8" trench drain with high capacity intake slots and pipe connection flume.

HighwayDrain - System Layout

Flume Outlets

Large high capacity polypropylene outlet for connection into a collector line or catch basin. Fits to base of outlet channels. Available as 8" or 12" Schedule 40 vertical or horizontal.

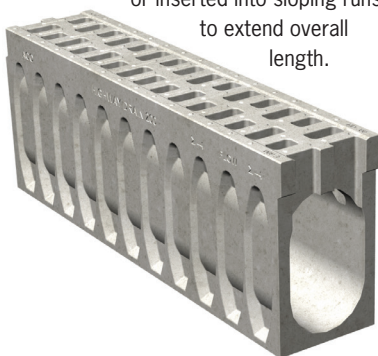
Seal unit to channel using silicone and to pipe system using flexible sealant.



4-Foot Channels

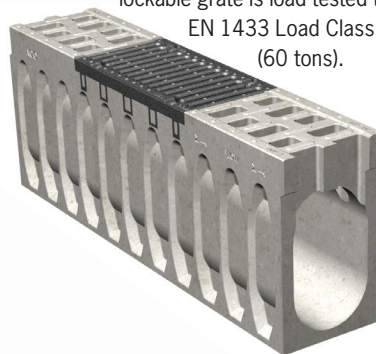
0.6% sloped channels in 4-foot lengths and twenty-five depths which connect to create 100 feet continuously sloping run. System is load tested to EN 1433 Load Class E (60 tons).

Neutral channels available in three depths. Can be used to create neutral depth runs, or inserted into sloping runs to extend overall length.



Access Channels

Neutral 4-foot long channels in three depths to provide access into the channel for maintenance. Supplied complete with ductile iron 19.69" (0.5 meter) bolted grate. 4-bolt lockable grate is load tested to EN 1433 Load Class E (60 tons).



Outlet Channel

Neutral 4-foot long channels in 3 depths to provide evacuation of system by use of flume outlet. Provides high capacity output (928 to 2,867 GPM).

Supplied with ductile iron 19.69" (0.5 meter) 4-bolt lock down grate to provide access to system and pipe work for maintenance.

Grate is locked down with 4 bolts and is load tested to EN 1433 Load Class E (6



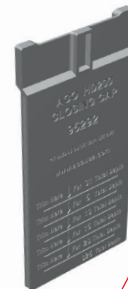
8" Inlet/Outlet Cap

8" Schedule 40 plain end pipe. Polypropylene sleeve slides over the closing cap to provide an inlet or outlet cap. with guides to illustrate



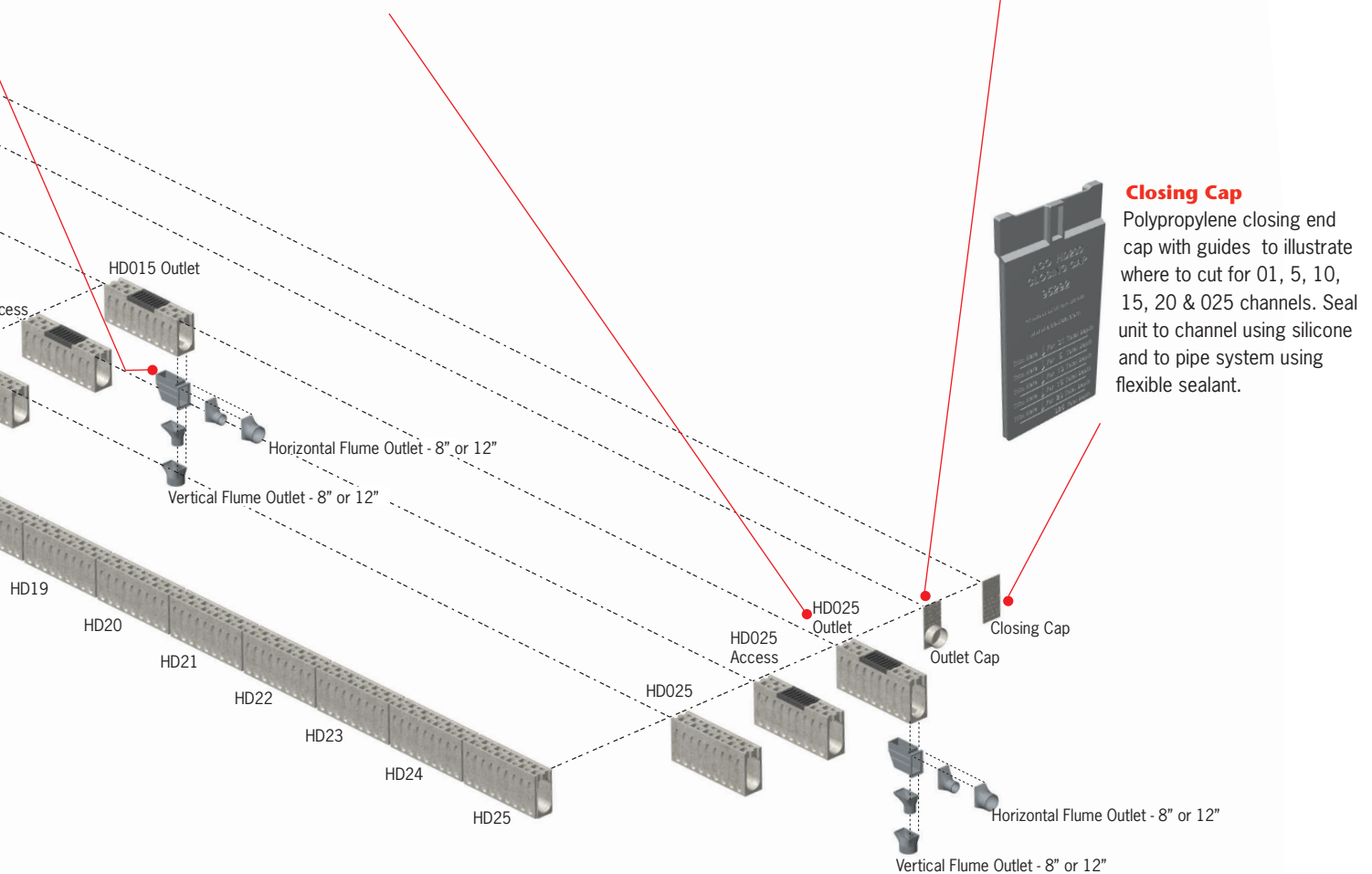
Deep - HD025

where to cut for 01, 5, 10, 15, 20 & 025 channels. Seal unit to channel using silicone and to pipe system using flexible sealant.



Closing Cap

Polypropylene closing end cap with guides to illustrate where to cut for 01, 5, 10, 15, 20 & 025 channels. Seal unit to channel using silicone and to pipe system using flexible sealant.



Parts Table

Description	Part No	Length		Invert Depth - female		Invert Depth - male		Weight lbs
		inches	mm	inches	mm	inches	mm	
HD01 Neutral channel	95250	48.00	1,220	12.52	318	12.52	318	241.0
HD01 Access channel	95317	48.00	1,220	12.52	318	12.52	318	243.0
HD01 Outlet channel	95326	48.00	1,220	12.52	318	12.52	318	233.0
HD1 Sloping channel	95253	48.00	1,220	12.52	318	12.83	326	241.0
HD2 Sloping channel	95255	48.00	1,220	12.83	326	13.11	333	242.7
HD3 Sloping channel	95259	48.00	1,220	13.11	333	13.43	341	244.3
HD4 Sloping channel	95254	48.00	1,220	13.43	341	13.70	348	246.0
HD5 Sloping channel	95258	48.00	1,220	13.70	348	13.98	355	247.6
HD6 Sloping channel	95257	48.00	1,220	13.98	355	14.29	363	249.3
HD7 Sloping channel	95252	48.00	1,220	14.29	363	14.57	370	250.9
HD8 Sloping channel	95251	48.00	1,220	14.57	370	14.88	378	252.6
HD9 Sloping channel	95256	48.00	1,220	14.88	378	15.16	385	254.2
HD10 Sloping channel	95263	48.00	1,220	15.16	385	15.47	393	255.9
HD11 Sloping channel	95265	48.00	1,220	15.47	393	15.75	400	257.5
HD12 Sloping channel	95267	48.00	1,220	15.75	400	16.06	408	259.2
HD13 Sloping channel	95262	48.00	1,220	16.06	408	16.34	415	260.8
HD14 Sloping channel	95269	48.00	1,220	16.34	415	16.61	422	262.5
HD15 Sloping channel	95266	48.00	1,220	16.61	422	16.93	430	264.1
HD015 Neutral channel	95261	48.00	1,220	16.93	430	16.93	430	264.1
HD015 Access channel	95328	48.00	1,220	16.93	430	16.93	430	266.1
HD015 Outlet channel	95327	48.00	1,220	16.93	430	16.93	430	256.1
HD16 Sloping channel	95264	48.00	1,220	16.93	430	17.20	437	265.8
HD17 Sloping channel	95260	48.00	1,220	17.20	437	17.52	445	267.4
HD18 Sloping channel	95268	48.00	1,220	17.52	445	17.80	452	269.1
HD19 Sloping channel	95275	48.00	1,220	17.80	452	18.11	460	270.7
HD20 Sloping channel	95272	48.00	1,220	18.11	460	18.39	467	272.4
HD21 Sloping channel	95274	48.00	1,220	18.39	467	18.70	475	274.0
HD22 Sloping channel	95270	48.00	1,220	18.70	475	18.98	482	275.7
HD23 Sloping channel	95277	48.00	1,220	18.98	482	19.29	490	277.3
HD24 Sloping channel	95273	48.00	1,220	19.29	490	19.57	497	279.0
HD25 Sloping channel	95276	48.00	1,220	19.57	497	19.88	505	280.6
HD025 Neutral channel	95271	48.00	1,220	19.88	505	19.88	505	280.6
HD025 Access channel	95329	48.00	1,220	19.88	505	19.88	505	282.6
HD025 Outlet channel	95322	48.00	1,220	19.88	505	19.88	505	272.6
Accessories								
Flumed outlet - 8" vertical	95279	-	-	-	-	-	-	2.4
Flumed outlet - 8" horizontal	95290	-	-	-	-	-	-	7.5
Flumed outlet - 12" vertical	95285	-	-	-	-	-	-	4.5
Flumed outlet - 12" horizontal	95287	-	-	-	-	-	-	9.6
Closing cap	95292	-	-	-	-	-	-	1.8
Outlet cap - 8" Sch 40	95293	-	-	-	-	-	-	3.5
HD200 Hanging installation device	95284	-	-	-	-	-	-	0.8

Notes:

1. Add nominal 1" (25mm) to invert depth for overall trench unit depth.
2. Closing & Outlet caps can be cut down for use with shallower trench units.
3. Horizontal flumes are a two-piece unit.
4. For replacement stainless steel bolts for access/outlet channel grates - order Part No. 95526 (bolt) and 95525 (washer).

Other ACO INFRASTRUCTURE Products

- **TrafficDrain** - 4" internal width trench drain with high intake grates
- **CurbDrain** - monolithic curb and drain unit
- **BridgeDrain** - 8" internal width fiberglass bridge scupper

ACO Polymer Products, Inc.

West Sales Office

P.O. Box 12067
Casa Grande, AZ 85130
Tel (520) 421-9988
(888) 490-9552
Fax (520) 421-9899

Northeast Sales Office

P.O. Box 245
Chardon, OH 44024
Tel (440) 285-7000
(800) 543-4764
Fax (440) 285-7005

Southeast Sales Office

4211 Pleasant Road
Fort Mill, SC 29708
Tel (800) 543-4764
(800) 662-2377
Fax (803) 802-1063

Follow us on



Electronic Contact:

info@acousa.com
www.acousa.com

