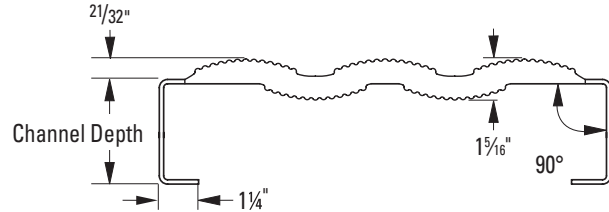
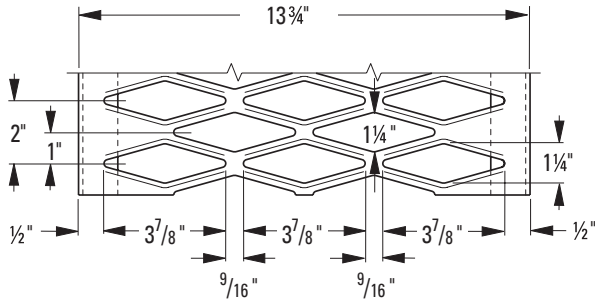




# GRATING PACIFIC

## HEAVY DUTY GRIP STRUT® PLANK LOAD TABLES 3-DIAMOND — 13-3/4" WIDTH



### Heavy Duty Grip Strut Plank 3-Diamond — 13-3/4" Width

Allowable loads and deflections: U=Uniform load (lb./ft.<sup>2</sup>) C= Concentrated load (lb.) D=Deflection (in.)

Material Gauge	Channel Depth in. (mm)	Weight lb./lin. ft. (kg/m)	Catalog Number	Load/Defl. Code	Span												
					3'-0"	3'-6"	4'-0"	4'-6"	5'-0"	5'-6"	6'-0"	6'-6"	7'-0"	7'-6"	8'-0"	9'-0"	10'-0"
Steel* 11 ga.	2"	8.5	H-32011	U	721	530	405	320	259	214	182	153	132	115	102	80	66
				D	.11	.15	.19	.24	.30	.35	.41	.47	.54	.62	.69	.85	1.04
				C	1240	1063	930	827	744	677	620	572	531	496	465	413	372
				D	.09	.12	.15	.19	.24	.28	.33	.38	.44	.49	.55	.68	.81
	2-1/2"	8.9	H-32511	U	1093	804	615	485	393	325	274	233	201	175	153	122	99
				D	.10	.14	.18	.23	.27	.32	.36	.42	.49	.55	.62	.79	.96
				C	1880	1611	1410	1254	1128	1025	940	868	806	752	705	626	564
				D	.08	.11	.14	.18	.22	.25	.29	.34	.39	.44	.50	.63	.76
	3"	9.3	H-33011	U	1164	855	655	516	419	347	290	248	214	186	163	130	104
				D	.08	.11	.15	.18	.22	.26	.30	.34	.39	.44	.48	.58	.68
				C	2000	1715	1500	1333	1180	1091	1000	923	857	800	750	667	600
				D	.07	.09	.12	.15	.17	.21	.24	.28	.31	.35	.39	.47	.55
4"	10.1	H-34011	U	1909	1402	1075	849	689	568	476	408	351	306	268	212	172	
			D	.07	.09	.12	.14	.17	.20	.23	.27	.31	.35	.39	.47	.56	
			C	3280	2812	2460	2187	1968	1789	1640	1514	1406	1312	1230	1094	935	
			D	.06	.07	.09	.11	.14	.16	.19	.22	.25	.28	.31	.38	.45	
Steel 10 ga.	2"	9.5	H-32010	U	801	589	450	356	288	238	202	170	147	128	113	89	73
				D	.11	.15	.19	.24	.30	.35	.41	.47	.54	.62	.69	.85	1.04
				C	1378	1181	1033	919	827	752	689	636	590	551	517	459	413
				D	.09	.12	.15	.19	.24	.28	.33	.38	.44	.49	.55	.68	.81
	2-1/2"	10.0	H-32510	U	1214	893	683	539	437	361	304	259	223	194	170	136	110
				D	.10	.14	.18	.23	.27	.32	.36	.42	.49	.55	.62	.79	.96
				C	2089	1790	1567	1393	1253	1139	1044	964	895	836	783	696	627
				D	.08	.11	.14	.18	.22	.25	.29	.34	.39	.44	.50	.63	.76
	3"	10.5	H-33010	U	1293	950	728	573	466	385	322	275	238	207	181	144	115
				D	.08	.11	.15	.18	.22	.26	.30	.34	.39	.44	.48	.58	.68
				C	2222	1905	1667	1481	1311	1212	1111	1026	952	889	833	741	667
				D	.07	.09	.12	.15	.17	.21	.24	.28	.31	.35	.39	.47	.55
4"	11.4	H-34010	U	2121	1558	1194	943	765	631	529	453	390	340	298	236	191	
			D	.07	.09	.12	.14	.17	.20	.23	.27	.31	.35	.39	.47	.56	
			C	3644	3124	2733	2430	2187	1988	1822	1682	1562	1458	1367	1215	1039	
			D	.06	.07	.09	.11	.14	.16	.19	.22	.25	.28	.31	.38	.46	

\*Available on special order.



# GRATING PACIFIC

## HEAVY DUTY GRIP STRUT® PLANK LOAD TABLES 3-DIAMOND — 13-3/4" WIDTH

### Heavy Duty Grip Strut Plank 3-Diamond — 13-3/4" Width

Allowable loads and deflections: U=Uniform load (lb./ft.<sup>2</sup>) C= Concentrated load (lb.) D=Deflection (in.)

Material Gauge	Channel Depth in.	Weight lb./lin. ft.	Catalog Number	Load/Defl. Code	Span												
					3'-0"	3'-6"	4'-0"	4'-6"	5'-0"	5'-6"	6'-0"	6'-6"	7'-0"	7'-6"	8'-0"	9'-0"	10'-0"
Steel* 9 ga.	2"	10.6	H-32009	U	881	648	495	392	317	262	222	187	162	141	124	98	80
				D	.11	.15	.19	.24	.30	.35	.41	.47	.54	.62	.69	.85	1.04
				C	1516	1299	1136	1011	910	827	758	700	649	606	569	505	454
				D	.09	.12	.15	.19	.24	.28	.33	.38	.44	.49	.55	.68	.81
	2-1/2"	11.1	H-32509	U	1335	982	751	593	481	397	334	285	245	213	187	150	121
				D	.10	.14	.18	.23	.27	.32	.36	.42	.49	.55	.62	.79	.96
				C	2298	1969	1724	1532	1378	1253	1148	1060	985	920	861	766	690
				D	.08	.11	.14	.18	.22	.25	.29	.34	.39	.44	.50	.63	.76
	3"	11.6	H-33009	U	1422	1045	801	630	513	424	354	303	262	228	199	158	127
				D	.08	.11	.15	.18	.22	.26	.30	.34	.39	.44	.48	.58	.68
				C	2444	2096	1834	1629	1442	1333	1222	1129	1047	978	916	815	734
				D	.07	.09	.12	.15	.17	.21	.24	.28	.31	.35	.39	.47	.55
	4"	12.7	H-34009	U	2333	1714	1313	1037	842	694	582	498	429	374	328	260	210
				D	.07	.09	.12	.14	.17	.20	.23	.27	.31	.35	.39	.47	.56
				C	4008	3436	3006	2673	2406	2187	2004	1850	1718	1604	1504	1337	1143
				D	.06	.07	.09	.11	.14	.16	.19	.22	.25	.28	.31	.38	.45

\*Available on special order.

### Strut Concentrated - loads/deflection<sup>(2)</sup>

Plank Width	Thickness	Concentrated Cs (lb./ft.)	
		Serrated	Non-Serrated
13-3/4"	11 ga. Steel	1171	1336
	10 ga. Steel	1348	1536
	9 ga. Steel	1534	1745
	Deflection (in.)	0.02	0.02

Cs = Allowable concentrated load per ft. of length at mid-width (lb./ft.)

(2) See "General Load information", in technical info., for explanation of design load deflection conditions.

### Strut Uniform - loads/deflection<sup>(2)</sup>

Plank Width	Thickness	Concentrated U (lb./ft. <sup>2</sup> )	
		Serrated	Non-Serrated
13-3/4"	11 ga. Steel	2044	2322
	10 ga. Steel	2354	2681
	9 ga. Steel	2678	3046
	Deflection (in.)	0.03	0.03

U = Allowable Uniform Load (lb./ft.<sup>2</sup>)

(2) See "General Load information", in technical info., for explanation of design load deflection conditions.