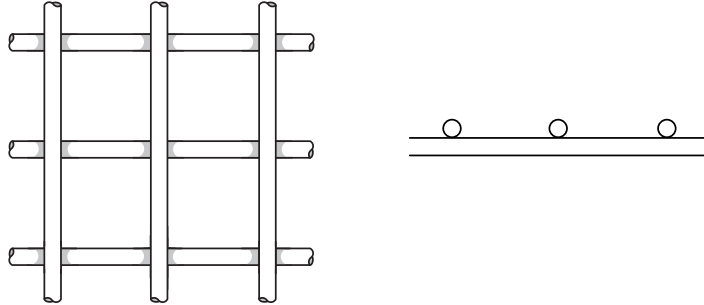




GRATING PACIFIC

WELDED WIRE MESH SIZES & OPTIONS

Welded Wire Mesh



Sizes indicated are our most popular products subject to manufacturing limitations. Additional spacings, wire diameters, and rectangular patterns are available on special order.

Carbon Welded Steel Flat Sheets

Finish Options: Plain Steel, Pre-Galvanized (before welded), Hot Dip Galvanized (after welded), Galfan

Mesh Spacing (center-to-center)	Wire Diameter	Weight per SF (pounds)	Open Area %	Sheet Sizes
1" Square	0.120	0.9	75.7%	Available from stock in 4' x 10' sheets. Select sizes also available in 4' x 8', 5' x 10' or 6' x 10' sheets. Custom sizes available subject to minimum quantities.
1" Square	0.135	1.2	72.9%	
1-1/2" Square	0.135	0.8	80.8%	
2" Square	0.135	0.6	84.9%	
2" Square	0.192	1.2	78.9%	
2" Square	0.250	2.1	73.0%	
3" Square	0.192	0.8	84.6%	
3" Square	0.225	1.1	82.1%	
3" Square	0.250	1.4	80.3%	
4" Square	0.192	0.6	87.6%	
4" Square	0.225	0.9	85.6%	
4" Square	0.250	1.1	84.0%	
1" x 2" Rectangular	0.120	0.7	80.9%	
1" x 3" Rectangular	0.120	0.6	82.7%	
2" x 4" Rectangular	0.187	0.9	87.2%	

304 Stainless Steel Flat Sheets

Alloys 309, 310, 316, 321, 347, and 400 series available on special order.

Mesh Spacing (center-to-center)	Wire Diameter	Weight per SF (pounds)	Open Area %	Sheet Sizes
1" Square	0.120	0.9	75.7%	Available from stock in 4' x 10' sheets.
2" Square	0.120	0.5	86.5%	



GRATING PACIFIC

WIRE MESH ROLLS SIZES & OPTIONS

Sizes indicated are our most popular products subject to manufacturing limitations. Additional spacings, wire diameters, and rectangular patterns are available on special order.

Carbon Steel Woven Wire - Square Mesh

Finish Options: Plain Steel, Pre-Galvanized (before woven)

Mesh (center-to-center)	Wire Diameter	Clear Opening	% of Open Area	Lbs. per 100 Sq Ft
2	0.063	0.437	75.5%	50.8
2	0.080	0.420	69.4%	81.9
3	0.047	0.286	73.1%	42.4
4	0.025	0.225	80.6%	16.0
4	0.047	0.203	65.3%	56.6
4	0.063	0.187	55.2%	101.6
6	0.028	0.139	68.8%	30.1
8	0.025	0.100	63.7%	32.0
8	0.035	0.090	51.4%	62.7
10	0.023	0.077	59.0%	33.9
10	0.035	0.065	41.9%	78.4

Galvanized Welded/Woven Hardware Cloth - Square Mesh

Finish Options: PVC Coated 2 and 4 Mesh only

Mesh (center-to-center)	Wire Diameter	Clear Opening	% of Open Area	Lbs. per 100 Sq Ft
2	0.041	0.459	83.6%	21.5
2	0.063	0.437	75.5%	50.8
3	0.032	0.301	81.2%	19.7
4	0.025	0.225	80.6%	16.0
4	0.032	0.218	75.6%	26.2
4	0.047	0.203	65.3%	56.6
8	0.017	0.108	74.4%	14.8

Pre-Galvanized Welded Wire Fabric Roll Stock - Rectangular Mesh

Finish Options: Pre-Galvanized or PVC Coated

Mesh (center-to-center)	Wire Diameter	Clear Opening	% of Open Area	Lbs. per 100 Sq Ft
1" x 1"	16 ga.	0.935	86.4%	27.1
1" x 1"	14 ga.	0.917	82.8%	44.2
2" x 2"	16 ga.	1.935	92.6%	54.2
2" x 2"	14 ga.	1.917	90.6%	88.3
2" x 2"	12.5 ga.	1.898	88.5%	133.4
1" x 1/2"	16 ga.	.935 x .435	81.3%	40.6
2" x 1"	14 ga.	1.92 x .92	87.9%	33.10
4" x 2"	16 ga.	3.94 x 1.94	95.2%	10.15
4" X 2"	14 ga.	3.92 x 1.92	93.9%	16.56
4" x 2"	12.5 ga.	3.9 x 1.90	92.5%	25.10

304 Stainless Steel Welded Wire - Square Mesh

Alloys: T304 or T316

Mesh (center-to-center)	Wire Diameter	Clear Opening	% of Open Area	Lbs. per 100 Sq Ft
2	0.047	0.453	81.4%	29.1
2	0.063	0.437	75.5%	52.3
3	0.047	0.286	73.1%	43.6
4	0.022	0.228	82.8%	12.7
4	0.028	0.222	78.4%	20.6
4	0.032	0.218	75.6%	27.0
4	0.047	0.203	65.3%	58.2

1350 Aluminum Rolls

Alloys 5056 and 6061 available on special order.

Mesh (center-to-center)	Wire Diameter	Clear Opening	% of Open Area	Lbs. per 100 Sq Ft
2	0.063	0.437	75.5%	17.6
4	0.047	0.203	65.3%	19.6
4	0.063	0.187	55.2%	35.2
8	0.028	0.097	59.9%	13.9

304 Stainless Steel Woven Wire - Square Mesh

Alloys 309, 310, 316, 321, 347, and 400 series available on special order.

Mesh (center-to-center)	Wire Diameter	Clear Opening	% of Open Area	Lbs. per 100 Sq Ft
2	0.120	0.380	56.3%	189.6
2	0.080	0.420	69.4%	84.3
3	0.063	0.270	64.9%	78.4
3	0.080	0.253	56.8%	126.4
4	0.047	0.203	65.3%	58.2
4	0.063	0.187	55.2%	104.5
4	0.080	0.170	45.3%	168.5
5	0.041	0.159	62.7%	55.3
6	0.028	0.139	68.8%	31.0
6	0.035	0.132	62.0%	48.4
7	0.028	0.115	64.3%	36.1
7	0.035	0.108	56.6%	56.4
8	0.028	0.097	59.9%	41.3
8	0.032	0.093	55.0%	53.9
8	0.035	0.090	51.4%	64.5
8	0.047	0.078	38.5%	116.3
9	0.023	0.088	62.6%	31.3
10	0.020	0.080	63.7%	26.3
10	0.025	0.075	55.9%	41.1
10	0.035	0.065	41.9%	80.6
11	0.018	0.073	64.1%	23.5
12	0.018	0.065	61.2%	25.6
12	0.028	0.055	43.8%	61.9
14	0.009	0.062	76.3%	7.5
14	0.017	0.054	57.8%	26.6



GRATING PACIFIC

WIRE MESH ROLLS SIZES & OPTIONS

Sizes indicated are our most popular products subject to manufacturing limitations. Additional spacings, wire diameters, and rectangular patterns are available on special order.

304 Stainless Steel Woven Wire - Square Mesh (continued...)

Alloys 309, 310, 316, 321, 347, and 400 series available on special order.

Mesh (center-to-center)	Wire Diameter	Clear Opening	% of Open Area	Lbs. per 100 Sq Ft
14	0.020	0.051	51.6%	36.9
14	0.025	0.046	42.0%	57.6
16	0.009	0.054	73.1%	8.5
16	0.018	0.045	50.5%	34.1
18	0.009	0.047	70.1%	9.6
18	0.017	0.039	48.0%	34.2
20	0.009	0.041	67.1%	10.7
20	0.016	0.034	46.1%	33.7
24	0.008	0.034	67.1%	8.9
26	0.011	0.027	50.8%	20.7
28	0.010	0.026	51.7%	18.4
30	0.013	0.020	37.1%	33.4
32	0.0065	0.025	62.6%	8.9
40	0.010	0.015	35.9%	26.3
50	0.009	0.011	30.2%	26.7
60	0.0075	0.009	30.2%	22.2
70	0.0065	0.008	29.6%	19.5
80	0.0055	0.007	31.3%	15.9
100	0.0045	0.006	30.2%	13.3
105	0.0035	0.006	40.0%	8.5
120	0.0026	0.006	47.3%	5.3
145	0.0022	0.005	46.4%	4.6
150	0.0026	0.004	37.2%	6.7
180	0.0018	0.004	45.7%	3.8
250	0.0016	0.002	36.0%	4.2
325	0.0014	0.002	29.7%	4.2